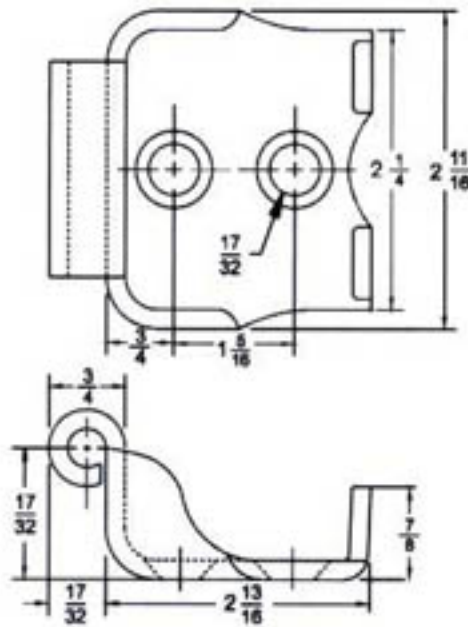
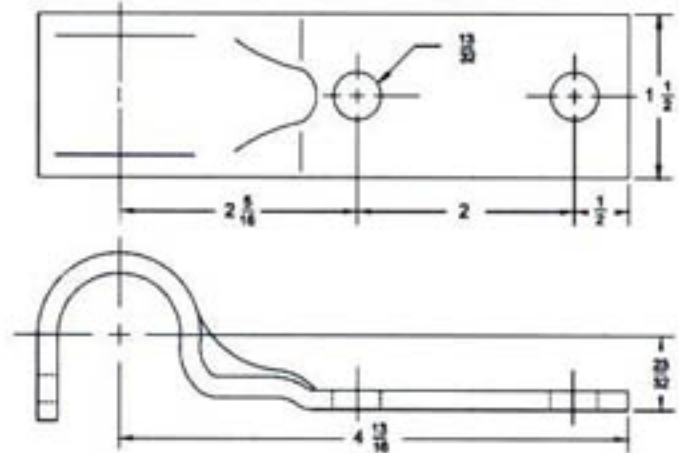


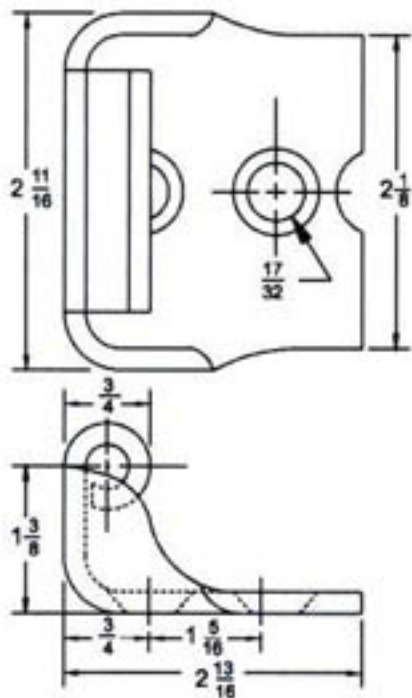
# CAM ACTION DOOR LOCK



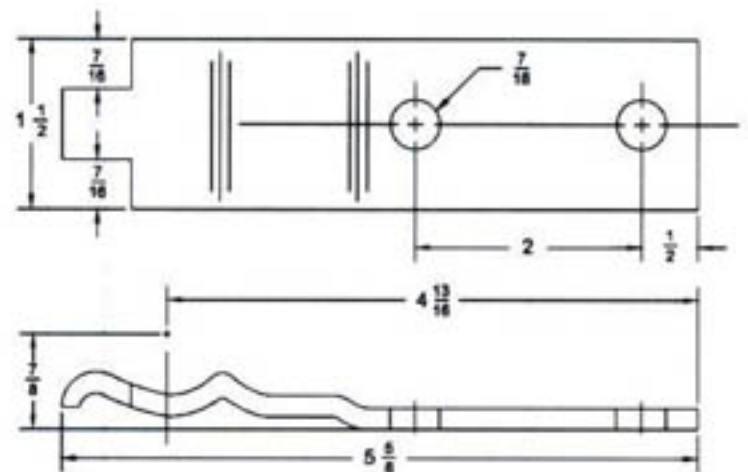
**458-201 Anti-Rack Keeper**



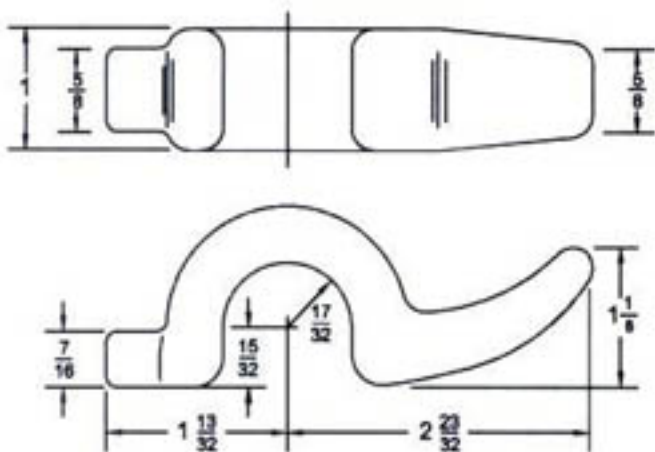
**458-209 Top Pipe Retainer**



**458-202 Center Keeper**



**458-210 Bottom Pipe Retainer**



**458-206 Anti-Rack Lug**

## Component Parts

- 458-201 Anti-Rack Keeper**
- 458-202 Center Keeper**
- 458-209 Top Pipe Retainer**
- 458-210 Bottom Pipe Retainer**
- 458-206 Anti-Rack Lug**

Keepers and pipe retainers made of 10 ga. steel; lug made of cast malleable iron.